

Pedestal Water Closet

PRODUCT FEATURES

- Low capacity pedestal water closet
- Pedestal toilet can be paired with Rigel conceal cistern or conceal box flush valve system

FLUSHING TYPE

- Wash down

PRODUCT SPECIFICATIONS

- Dimension : 675 (L) x 370 (W) x 410 (H) mm
- Rough-in : P-Trap 190mm
S-Trap 65mm
- Inlet : Top Inlet
- Material : Vitreous China
- Inlet Rubber Bush : Ø55mm
- Trap Seal : 50mm minimum
- Minimum Water Pressure : 135 kPa
- Seat and Cover : CB26H (PP)

DISCHARGE VOLUME

- Full Flush : 4.5 – 6 Litre per flush
- Reduced Flush : 3.0 Litre per flush



RESOURCEFUL FEATURES:

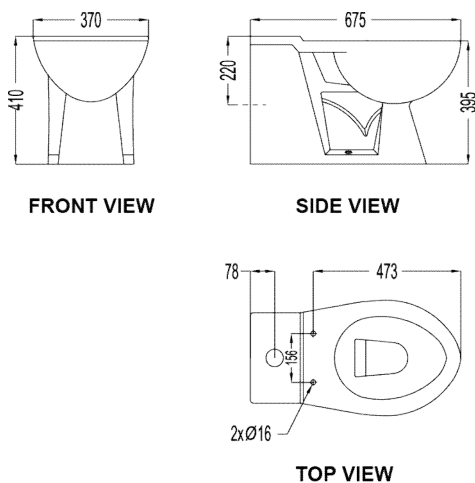


Dual Flush Mechanism



Anti-Bacterial Technology

TECHNICAL DRAWING



INSTALLATION DETAILS

